

Nuts

- **Material**
 - Zinc-plated steel.
 - AISI 304 stainless steel.
- **Conformity**
 - UNI 5588 DIN 934.

Features and applications

AISI 304 stainless steel, with low sulphur contents (less than 0.030%) is particularly resistant to corrosion. NT nuts are particularly suitable for applications on machines and equipment in those sectors where laws or particular hygienic, climatic and environmental factors make it mandatory to use corrosion resistant materials.



Zinc-plated steel nuts		⚖
Code	Description	g
301015	NT-M8	16
301021	NT-M10	18
301025	NT-M12	20
301035	NT-M16	30
301045	NT-M20	55
301055	NT-M24	93
301065	NT-M30	105

AISI 304 stainless steel nuts		⚖
Code	Description	g
321015	NT-SST-M8	16
321021	NT-SST-M10	18
321025	NT-SST-M12	21
321035	NT-SST-M16	31
321045	NT-SST-M20	56
321055	NT-SST-M24	95

No-slip disks

Experience over the years has shown how the No-slip disk is an important but also critical component of the levelling element. The increasingly greater use of the No-slip disk to give the base more stability and adherence to the ground has shown that the disk may detach while the machinery is being moved due to accidental impacts or because the disk adheres to the floor.

After in-depth studies and numerous tests in our laboratories, it was decided to produce a version of the base to which a No-slip disk is already mounted, thus guaranteeing maximum safety for the applications in which the disk is used. In fact, the base is fitted to the No-slip disk along the entire external section and in the central part of the disk.

Tests have shown that this solution has led to a ten-fold increase in base detachment resistance in case of side impacts (Fig. 1) and a four-fold increase in the axial slippage resistance if the No-slip disk adheres to the floor (Fig. 2).

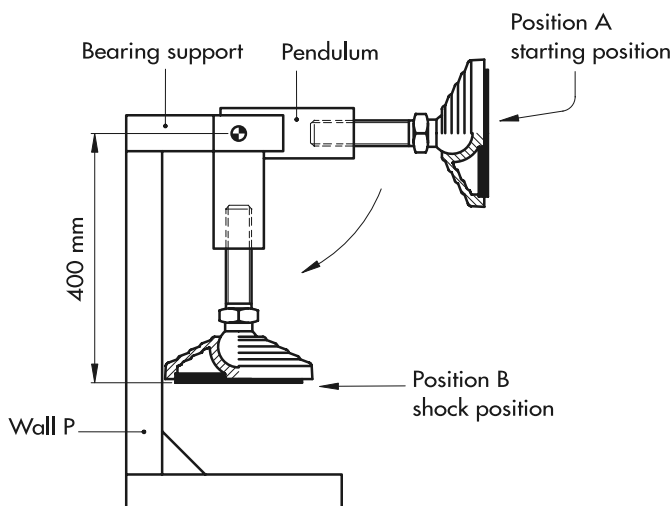


Fig. 1

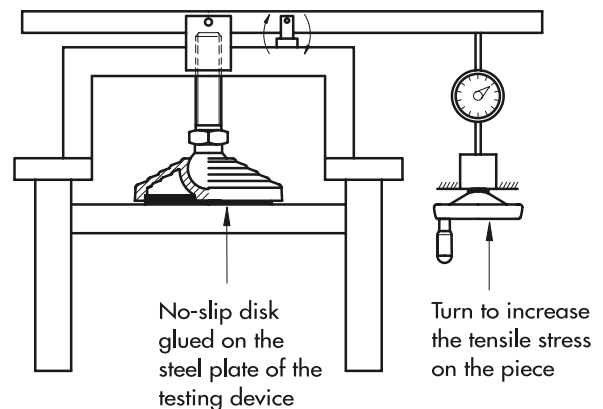


Fig. 2

Tables of the possible combinations Bases/Stems



Articulation Ø 14	Bases without no-slip disk	Code	340121	340125	340131	340135	341241	301246	301251	301331
		Description	LS.A-25-14	LS.A-32-14	LS.A-40-14	LS.A-50-14	LVA-60-14	LVA-70-14	LVA-80-14	LVF-80-14
	Bases with no-slip mounted	Code	340221	340225	340231	340235	341741	301746	301751	301831
		Description	LS.A-25-14-AS	LS.A-32-14-AS	LS.A-40-14-AS	LS.A-50-14-AS	LVA-60-14-AS	LVA-70-14-AS	LVA-80-14-AS	LVF-80-14-AS

Zinc-plated steel stems		AISI 304 stainless steel stems									
Code	Description	Code	Description								
302121	SM-14-M8x43	322121	SM-14-SST-M8x43	•	•	•	•	•	•	•	•
302125	SM-14-M8x68	322125	SM-14-SST-M8x68	•	•	•	•	•	•	•	•
302221	SM-14-M10x43	322221	SM-14-SST-M10x43	•	•	•	•	•	•	•	•
302225	SM-14-M10x68	322225	SM-14-SST-M10x68	•	•	•	•	•	•	•	•
302231	SM-14-M10x98	322231	SM-14-SST-M10x98	•	•	•	•	•	•	•	•
302321	SM-14-M12x43	322321	SM-14-SST-M12x43	•	•	•	•	•	•	•	•
302325	SM-14-M12x68	322325	SM-14-SST-M12x68	•	•	•	•	•	•	•	•
302331	SM-14-M12x98	322331	SM-14-SST-M12x98	•	•	•	•	•	•	•	•
302521	SM-14-M16x68	322521	SM-14-SST-M16x68	•	•	•	•	•	•	•	•
302525	SM-14-M16x108	322525	SM-14-SST-M16x108	•	•	•	•	•	•	•	•
302541	SM-14-M16x148	322541	SM-14-SST-M16x148	•	•	•	•	•	•	•	•
302561	SM-14-M16x168	322561	SM-14-SST-M16x168	•	•	•	•	•	•	•	•

Articulation Ø 24	Bases without no-slip disk	Code	301242	301252	301262	301272	301332	301342	301272
		Description	LVA-60-24	LVA-80-24	LVA-100-24	LVA-125-24	LVF-80-24	LVF-100-24	LVF-125-24
	Bases with no-slip mounted	Code	301742	301752	301762	301772	301832	301842	301852
		Description	LVA-60-24-AS	LVA-80-24-AS	LVA-100-24-AS	LVA-125-24-AS	LVF-80-24-AS	LVF-100-24-AS	LVF-125-24-AS

Zinc-plated steel stems		AISI 304 stainless steel stems									
Code	Description	Code	Description								
302621	SM-24-M16x58	322621	SM-24-SST-M16x58	•	•	•	•	•	•	•	•
302625	SM-24-M16x98	322625	SM-24-SST-M16x98	•	•	•	•	•	•	•	•
302641	SM-24-M16x138	322641	SM-24-SST-M16x138	•	•	•	•	•	•	•	•
302661	SM-24-M16x158	322661	SM-24-SST-M16x158	•	•	•	•	•	•	•	•
302725	SM-24-M20x98	322725	SM-24-SST-M20x98	•	•	•	•	•	•	•	•
302741	SM-24-M20x138	322741	SM-24-SST-M20x138	•	•	•	•	•	•	•	•
302761	SM-24-M20x158	322761	SM-24-SST-M20x158	•	•	•	•	•	•	•	•
302781	SM-24-M20x198	322781	SM-24-SST-M20x198	•	•	•	•	•	•	•	•
302825	SM-24-M24x98	322825	SM-24-SST-M24x98	•	•	•	•	•	•	•	•
302861	SM-24-M24x158	322861	SM-24-SST-M24x158	•	•	•	•	•	•	•	•
302881	SM-24-M24x198	322881	SM-24-SST-M24x198	•	•	•	•	•	•	•	•